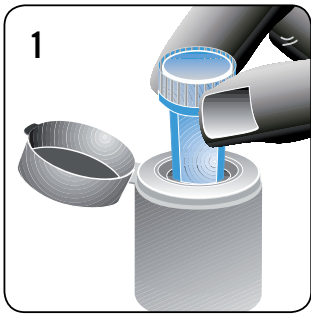
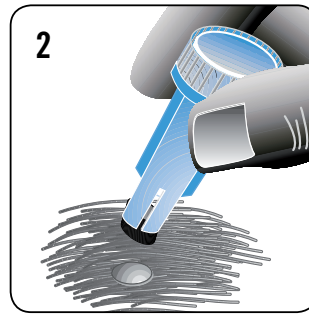


HOW TO USE: COLLECTING

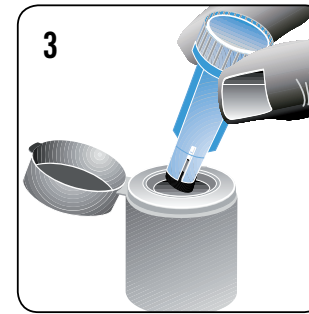
paraTEST[®] VET ad us. vet.



Lift the cap and remove blue insert.



Push the small end of blue insert into the stool to collect a fecal sample.



Replace the blue insert in the container, close cap and take to your veterinary surgeon or laboratory as appropriate.

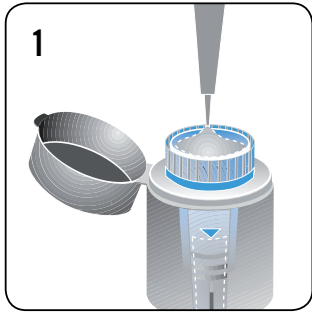


In case of overflow, the flotation solution will be collected in the outer ring of the insert.

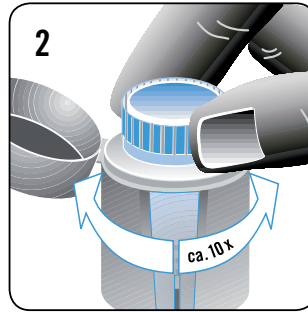


HOW TO USE: ANALYSIS

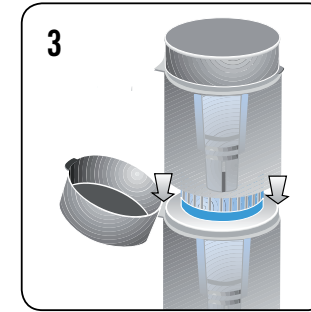
paraTEST[®] VET ad us. vet.



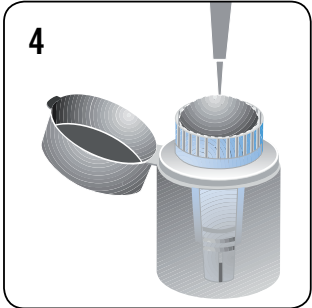
Lift the cap and fill the blue insert with flotation solution to the middle mark.



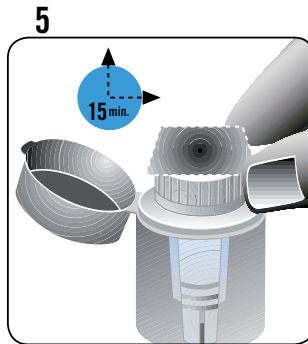
Rotate the blue insert back and forth approx. ten times to separate the parasite ova from the fecal sample.



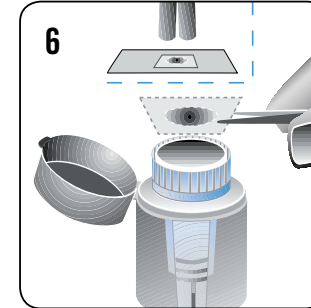
To secure the blue insert in the outer container, press down into place by applying pressure to a second container placed on top.



Completely fill the blue insert with additional flotation solution to form a meniscus.



Float a 22 mm slip on the meniscus for 15 mins. By means of flotation the parasite ova if present will remain on the cover slip.



Remove cover slip carefully and start the microscopic examination at 100 x magnification maximum.

Distribution:



Tel: 01798 874567
info@vetlabsupplies.co.uk
www.vetlabsupplies.co.uk

Manufacturer:

